

1. STAGE 1 _____
2. STAGE 2 _____
3. STAGE 3 _____
4. HYPOT _____
5. TESTED _____
6. Q.C. _____

DIMENSION ONE
51484-04
MODEL D1S

Balboa Instruments Incorporated
BALBOA INSTRUMENTS INC.
COSTA MESA, CA.
Certified to comply with the limits for a class B computing device pursuant to subpart J of part 15 of the FCC rules

-9

60 HZ

PAT. NO. 4618797 MADE IN USA

GROUNDING LUG

W H T	R E D	B L K	G R D
Neutral	Hot	Hot	Ground
USE COPPER WIRE MIN. 8 AWG 24A / MIN. 6 AWG 32A		240V 60HZ	

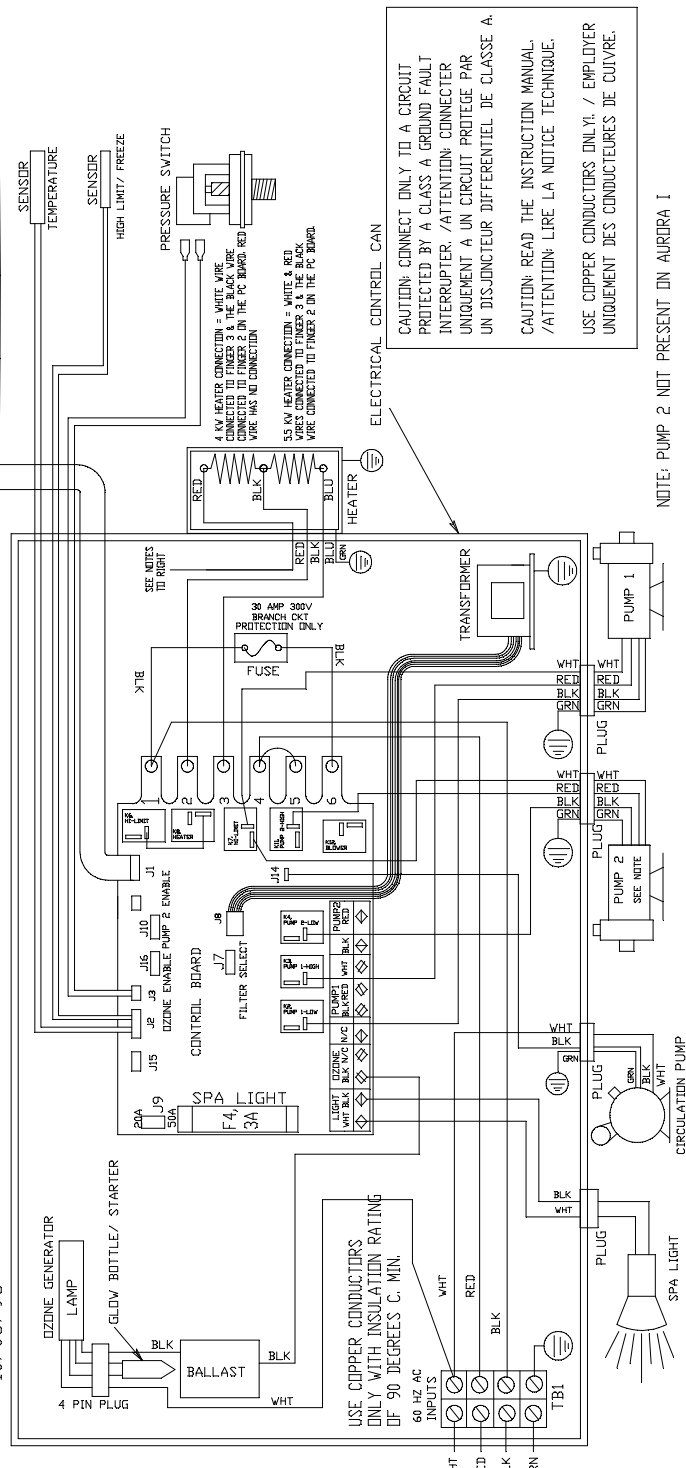
USE COPPER WIRE
MIN 10 AWG
@ 105 ° C

SPA LIGHT	CIRC. PUMP	PUMP 2	PUMP 1
BLK SPA LIGHT	BLK CIRC. PUMP	BLK PUMP 2	BLK PUMP 1
WHT	N/C	N/C	WHT
RED	RED	RED	RED
WHT	WHT	WHT	WHT
BLK	BLK	BLK	BLK
RED	RED	RED	RED

1998 D1S SYSTEM WIRING DIAGRAM

SID1S * I191918

Balboa Instruments Incorporated 10/06/98



USE COPPER CONDUCTORS ONLY WITH INSULATION RATING OF 90 DEGREES C. MIN.