

P/N 51767-03  
**MODEL HS50**

**Balboa Instruments Incorporated**  
 BALBOA INSTRUMENTS INC.  
 TUSTIN, CA.

Certified to comply with the limits for a class B computing device pursuant to subpart J of part 15 of the FCC rules

LISTED US 74254

60 HZ

MODEL: DU-HS50-DCAH

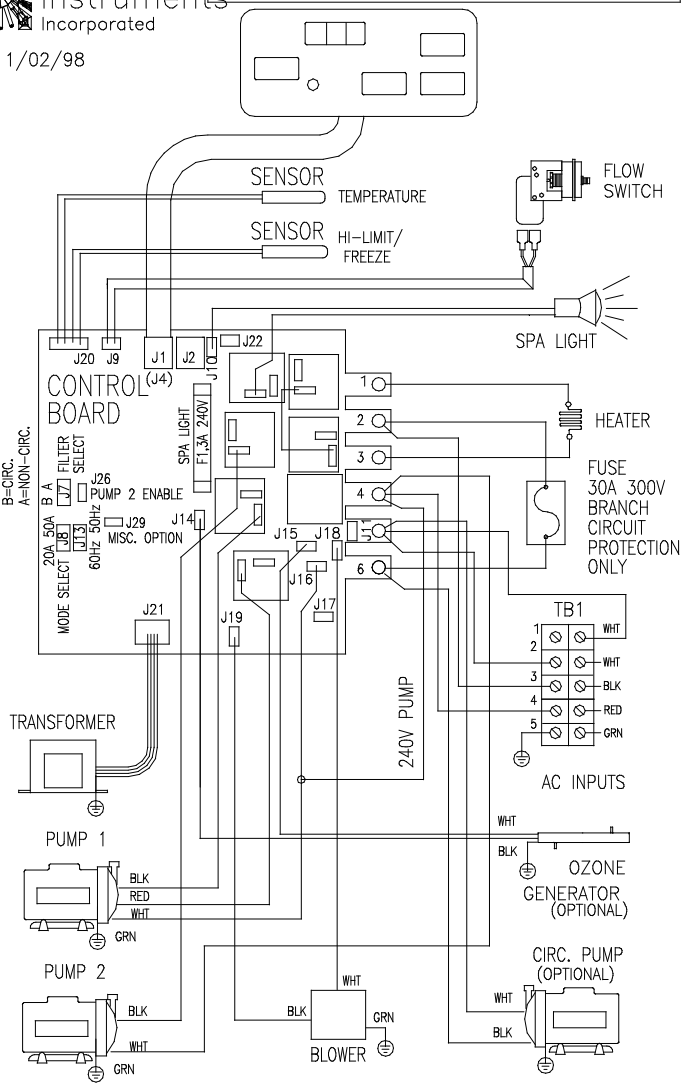
PAT. NO. 4618797

	GRN	RED	BLK	WHT
Ground	Hot	Hot	Neutral	
USE COPPER WIRE		120V/240V		
MIN. 6 AWG		16A/40A		
		60Hz		

**Balboa Instruments Incorporated**

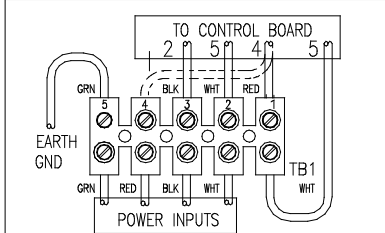
11/02/98

**HS50 SYSTEM WIRING DIAGRAM**



**CONVERSION DIAGRAM 120V TO 240V**

**CONVERSION INSTRUCTIONS:**



1. CONVERSION MUST BE PERFORMED BY A QUALIFIED, LICENSED ELECTRICIAN, HARDWARE ONLY.
  2. DISCONNECT FROM POWER & REMOVE CORD.
  3. MOVE RED WIRE (TB1-1) TO (TB1-4) AS INDICATED BY DASHED LINES.
  4. MOVE THE HEATER MODE SELECTOR (J8) ON THE CONTROL BOARD FROM 20A TO 50A POSITION.
- If this unit is to be permanently connected, connect only to a circuit that is protected by a ground fault circuit interrupter (G.F.C.I.).