




P/N 54114HC1
MODEL LITELD



Balboa Instruments Incorporated
BALBOA INSTRUMENTS INC.
TUSTIN, CA.

LISTED
B0593926630

60 HZ

MODEL: WH-LITELD-CCA


PAT. NO. 4618797

USE COPPER CONDUCTOR ONLY #8 AWG MIN. WIRE= 90°C

EMPLOYER UNIQUÈME DES CONDUCTEURS DE CUVRE.

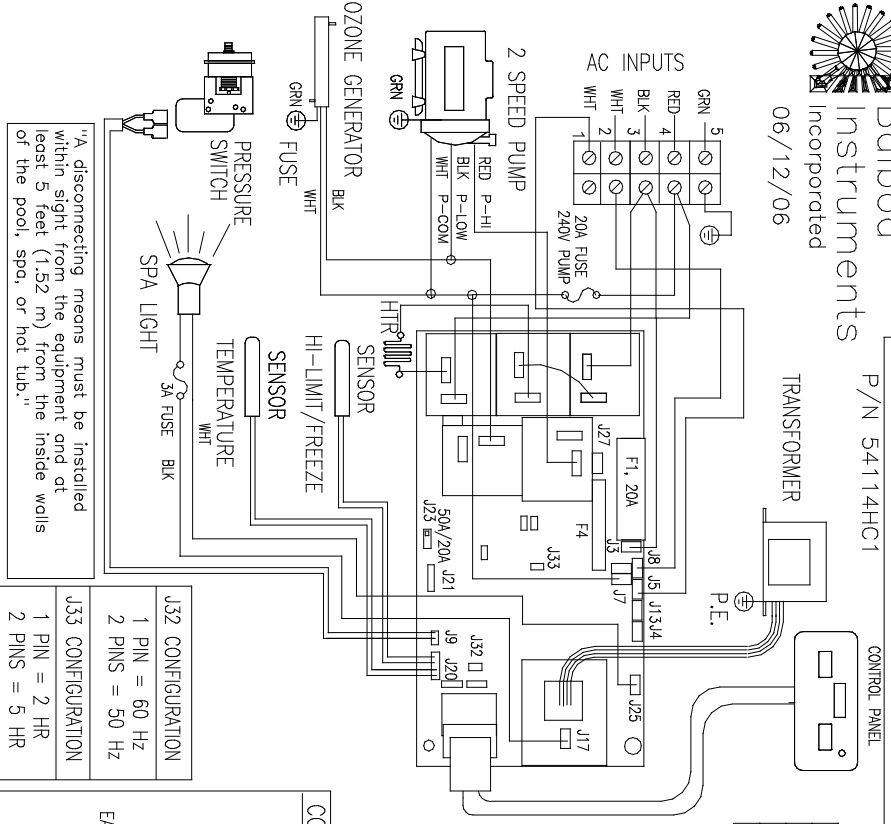
TORQUE RANGE FOR TB1: 16-18 IN. LBS

FOR SUPPLY CONNECTIONS, USE CONDUCTORS SIZED ON THE BASIS OF 60°C AMPACITY BUT RATED MINIMUM OF 90°C.



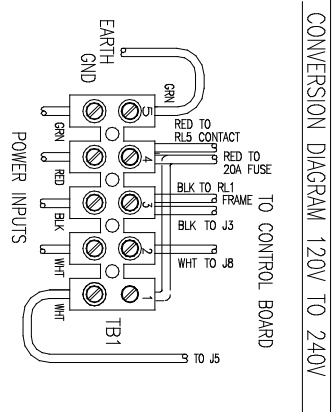
Balboa Instruments Incorporated
06/12/06

LITELD SYSTEM WIRING DIAGRAM



"A disconnecting means must be installed within sight from the equipment and at least 5 feet (1.52 m) from the inside walls of the pool, spa, or hot tub."

J32 CONFIGURATION	1 PIN = 60 HZ 2 PINS = 50 HZ
J33 CONFIGURATION	1 PIN = 2 HR 2 PINS = 5 HR



- 120V TO 240V CONVERSION INSTRUCTIONS:
- CONVERSION MUST BE PERFORMED BY A QUALIFIED, LICENSED ELECTRICIAN. HARDWARE ONLY.
 - DISCONNECT FROM POWER & REMOVE COPD.
 - MOVE RED WIRES (TB1-1) TO (TB1-4) AS INDICATED BY DASHED LINES.
 - MOVE THE HEATER MODE SELECTOR (J23) ON THE CONTROL BOARD FROM 20A TO 50A POSITION.
- If this unit is to be permanently connected, connect only to a circuit that is protected by a Class A ground fault circuit interrupter (G.F.C.I.).

DEVICE	VOLTAGE	RATING
PUMP1	120/240V	15/12A
OZONE	120/240V	1A
SPA LIGHT	12V	12W
HEATER	120/240V	1KW/4KW

TOTAL OUTPUT AMPERAGE DRAW NOT TO EXCEED MAX INPUT RATING OF SPA.