

P/N 52279-04  
MODEL ICON15

**Balboa Instruments**  
Incorporated  
BALBOA INSTRUMENTS INC.  
TUSTIN, CA.



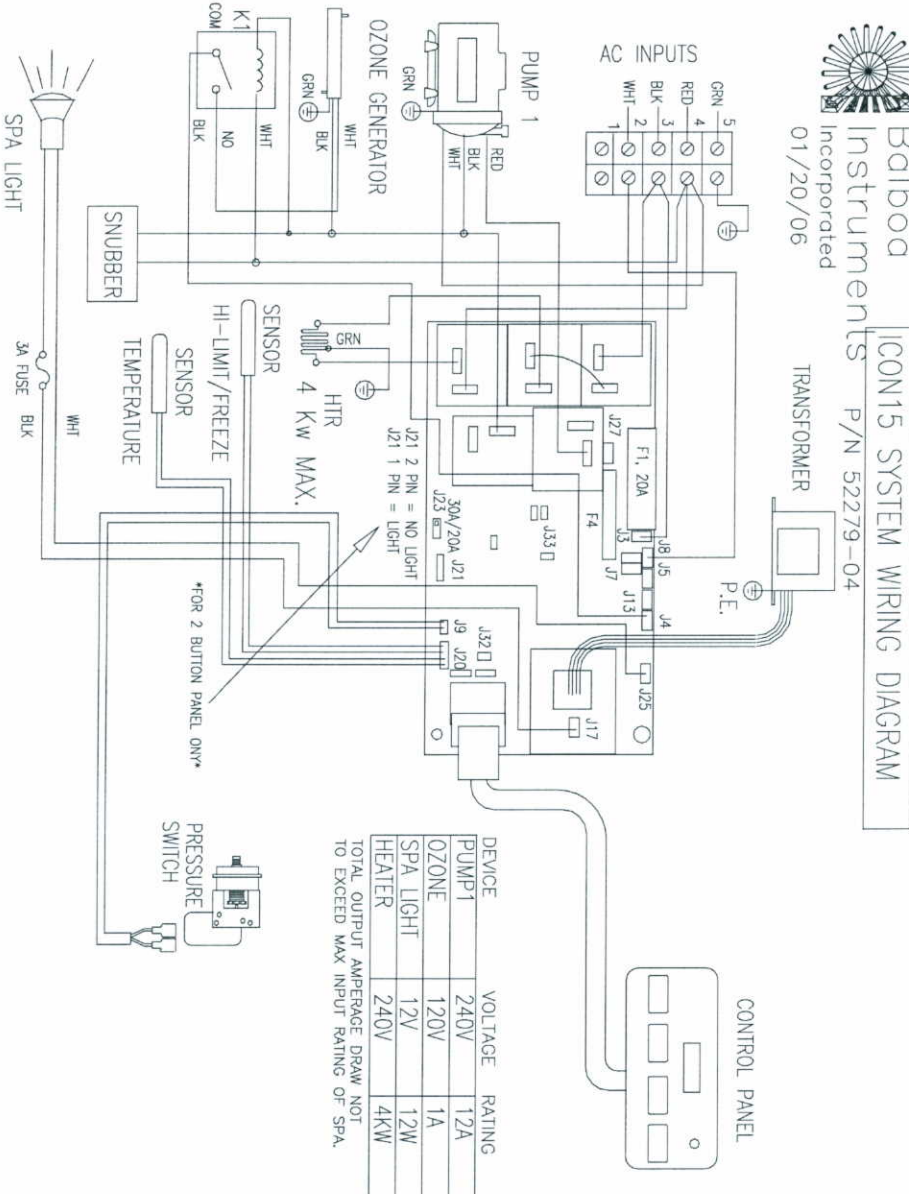
Certified to comply with the limits for a class B computing device pursuant to subpart J of part 15 of the FCC rules



MODEL: WH-ICON15-CCAJ

PAT. NO. 4618797

USE COPPER CONDUCTOR ONLY  
#8 AWG MIN. WIRE = 90°C  
EMPLOYER UNIQUEMENT DES CONDUCTEURS DE CUIVRE.  
TORQUE RANGE FOR TB1: 16-18 IN. LBS  
FOR SUPPLY CONNECTIONS, USE CONDUCTORS SIZED ON THE BASIS OF 60°C AMPACITY BUT RATED MINIMUM OF 90°C.



Balboa Instruments Incorporated  
01/20/06

ICON15 SYSTEM WIRING DIAGRAM  
P/N 52279-04

"A disconnecting means must be installed within sight from the equipment and at least 5 feet (1.52 m) from the inside walls of the pool, spa, or hot tub."