

DESCRIPTION:

The Water Level Sensor is a control that senses water level through a tub wall. It will prevent pump damage from “dry firing” (running without water) and jet over spray by allowing the pump to be operated only with the proper tub water level. An indicator light is provided on the front face, and will be on when the tub water is at or above the actuation level of the Water Level Sensor.

INSTALLATION SPECIFICATIONS:

The Water Level Sensor is designed for acrylic, fiberglass, and cultured marble jetted tubs, with a wall thickness of ¼ to 1 inch. It easily plugs into the three-pin connector provided on the MM-1TD-99, MM-2TDF-99 AND MS-1TD series controls.

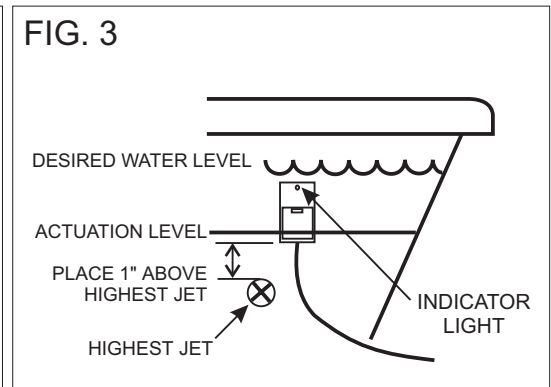
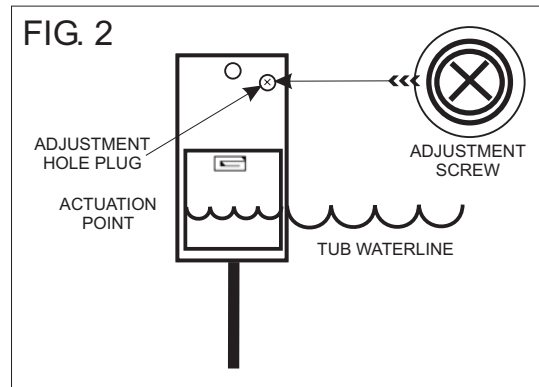
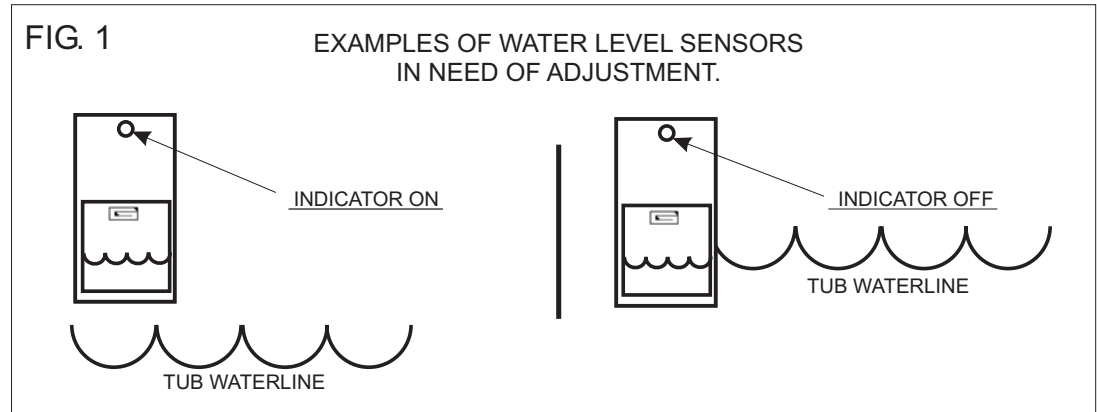
WATER LEVEL SENSOR TUB INSTALLATION:

Locate a suitable mounting position on a flat sidewall of the tub, approximately 1 inch above the highest jet and below the overflow, in an accessible area if possible (see FIG 3). Use double sided tape to hold sensor in place. Place a bead of sealant (e.g., silicone sealant) or resin around the perimeter of the box at the contact point to the tub. **DO NOT** mount unit near plumbing, studs, conduit, etc. as these may interfere with unit sensitivity.

ADJUSTMENT:

Due to thickness and varying types of tub wall materials, it may be necessary to adjust the Water Level Sensor to greater or lower sensitivity. If the unit does not activate when the water level is at the actuation point (the waterline on the label), or if actuation occurs before the water level has reached this point (see FIG 1), adjust the Water Level Sensor as follows:

Bring the tub water level up to the Water Level Sensor actuation point (the waterline on the label). Remove the hole plug on front face of the Water Level Sensor. Use a small screwdriver and gently rotate the adjustment screw until the indicator light is on, then back the screw down slightly until the light goes out, and very slowly turn until the the light is on again. (see FIG 2 for adjustment hole plug and screw location). Drain the tub water level below the Water Level Sensor-the indicator light should go out. Next fill the tub up to the actuation level and check that the indicator light has come on. Repeat above adjustments until the unit activates and de-activates at the desired level.

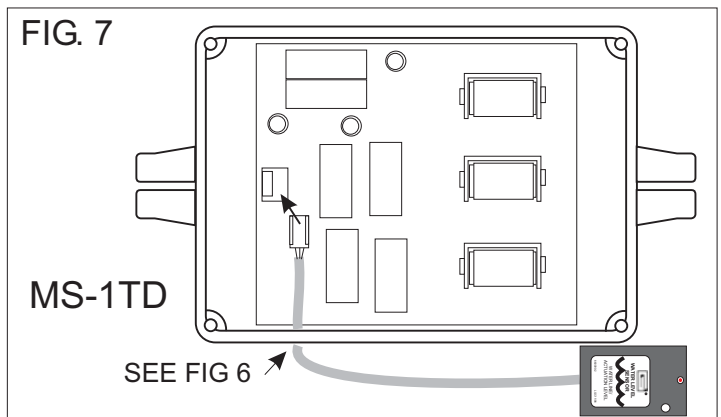
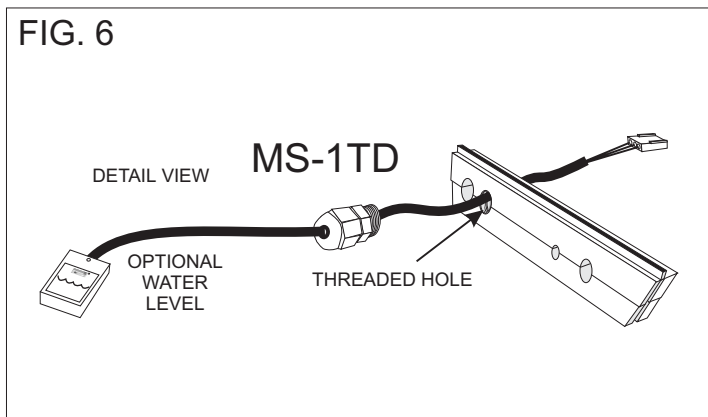
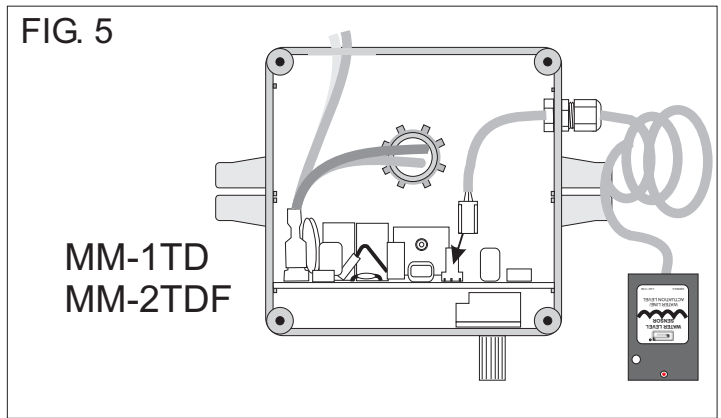
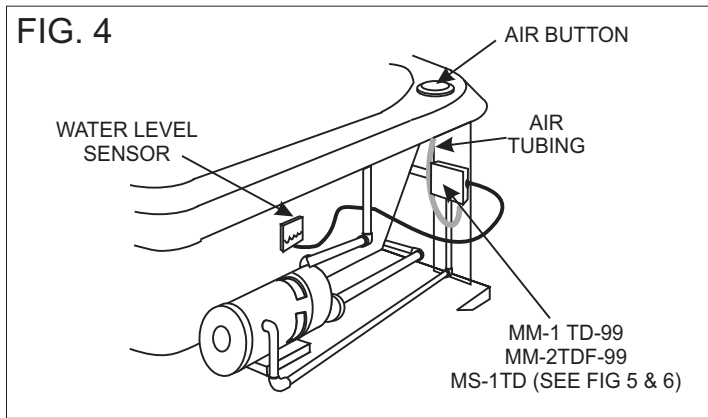


NOTE: Ground connections are not shown and vary with installations.

CAUTION: USE COPPER CONDUCTORS ONLY. Do not lubricate relays. All Allied Innovations, LLC controls must be installed by a licensed electrician according to these instructions.

READ AND SAVE THESE INSTRUCTIONS

TYPICAL INSTALLATION:



WARRANTY

Allied InnovationsLLC warrants its products to be free from defects in workmanship and material under normal use and conditions for a period of one year from the date of original manufacture. Should repair be required by reason of any defect or malfunction during the warranty period, Allied InnovationsLLC will repair, or at their discretion, replace this product without charge, subject to verification of the defect or malfunction, upon delivery of the product to the attention of:

**Technical Service Department
Allied InnovationsLLC
7215 Bermuda Rd
Las Vegas, NV 89119-4304**

If repair is required after the expiration date of the warranty period, Allied InnovationsLLC will repair this product and bill for any necessary replacement parts, shipping and handling.

This warranty is void if: 1) the unit is not installed per the instructions; 2) is hooked up to improper voltage; 3) is subjected to chemical corrosion; 4) is mechanically or electrically altered in any way; 5) is subjected to water or immersion; 6) contacts show evidence of short circuiting, or the unit has been visibly damaged by accident or misuse or which has been damaged by wind, rain, lightning, freezing or other cause; or upon which the serial number or manufacture date has been altered, effaced or removed. There is a charge for replacement parts if the defective unit is returned for any of the reasons listed above.

Allied InnovationsLLC shall not be liable for any inconvenience, loss of time, or incidental expenses incurred. Allied InnovationsLLC shall not be liable for any labor charges associated with the removal or re-installation of any so-claimed defective products.

This is the only warranty expressed or implied by Allied InnovationsLLC. Warranties implied under state law, including any implied warranty of merchantability or fitness for a particular purpose, shall be limited to one year from the date of manufacture.

Allied InnovationsLLC disclaims any liability for any incidental or consequential damages.

Ship as follows:

1. Pack the unit in a well padded, heavy corrugated box.
2. Include name, return address, and daytime phone number along with a short description of problem with control.
3. Mail the unit, prepaid, to the above address.

Some states do not allow the exclusion or limitation of incidental or consequential damages, therefore the above limitation may not apply to you.

ALLIED INNOVATIONS, LLC

 Manufacturing the Product Lines of Len Gordon
7215 Bermuda Rd Las Vegas NV 89119-4304
Phone (702) 361-0600 Fax (702) 361-0613
www.allied-innovations.com