

INSTALLATION INSTRUCTIONS

Solid-State Series



!! NOTE !!

Covers the following models:

- . CS6100 - CS7100
- . CS6200 - CS9200
- . CS6220 - CS9220
- . CS6230 - CS9230
- . CS6500 - CS7500
- . CS6330 - CS9300
- . CS9400 - CS9700

Refer to INSERT for additional information

To ensure that the system is installed properly, provide your electrician with these instructions.

ELECTRICAL INSTALLATION

A qualified and licensed electrician in accordance with the National Electric Code (NEC) Article 680, Canadian Electric Code, and with any local codes must accomplish the electrical installation.

All connections must be made according to the electrical installation label on the outside of the control box (see page 12). Follow the instructions from the label if they are different than the instructions in this manual. If your electrician is not absolutely sure how to connect your system correctly, call your local dealer. Any mistake may be costly and void your equipment warranty.

The GFCI (Ground Fault Circuit Interrupter) is a mandatory electrical safety device required for all portable spas and hot tubs as specified in the National Electrical Code Article 680-42. The GFCI in your particular installation may be installed at the electrical service panel, a separate sub-panel or built into your Hydro-Quip System.

Your spa equipment requires a DEDICATED CIRCUIT. No other appliances or lights can be on this circuit. Refer to equipment data label for power supply requirements of your spa equipment.

Use copper conductors ONLY. The ground must be sized following the National Electric Code, Table 250-95.

For Power conductor size, refer to the National Electric Code Table 310-16.

NOTE: Due to the electrical requirements of some models, it may be required to SPLIT the incoming electrical service to accommodate the GFCI Circuit Breaker limits. Contact your electrician if you need additional information on this topic.

Circuit & Breaker Rating	15A	20A	30A	40A	50A	60A	70A	80A
Maximum Amps	12A	16A	24A	32A	40A	48A	56A	64A
Minimum Wire Size	14	12	10	8	6	4	4	4

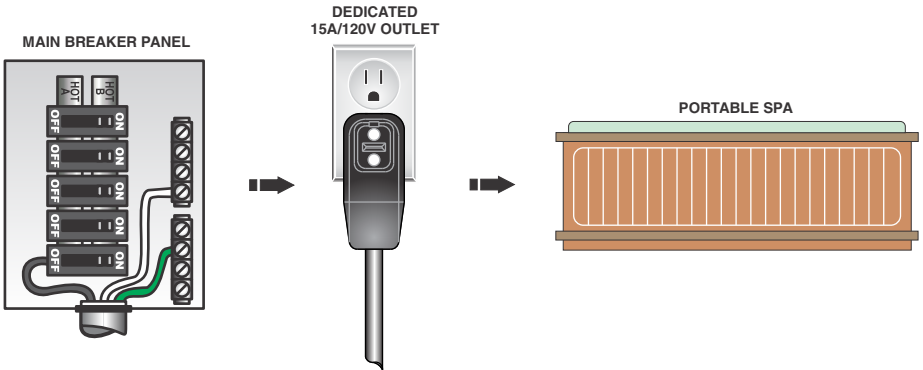
Universal Systems require a Neutral wire therefore the service required is as follows: 120-volt systems require a three-wire electrical service including ground, consisting of Line 1 (Black), Neutral (White) and Ground (Green). 240-volt systems require a four wire electrical service including ground, consisting of Line 1 (Black), Line 2 (Red), Neutral (White) and Ground (Green).

ELECTRICAL CONNECTION

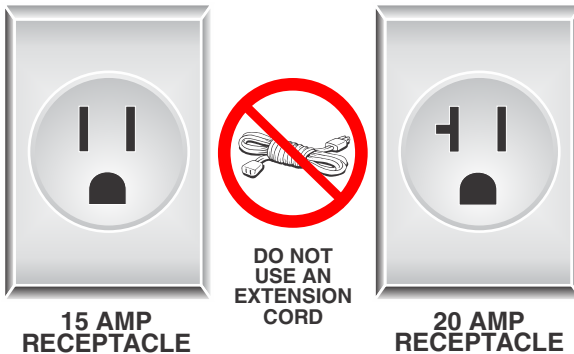
If your system was configured to include a 120VAC power cord, ensure that the proper receptacle has been installed (a dedicated circuit is required). **DO NOT** under any circumstances modify a 20 Amp plug to fit into a 15 Amp receptacle or use an extension cord. Doing so will create hazardous conditions and/or void the warranty.

OPTION 1 Units with 15A GFCI Plug Connection

20AMP CORDEND GFCI



This illustration depicts a typical 20 AMP, cord-end GFCI installation. (The spa must be installed on a dedicated circuit.)

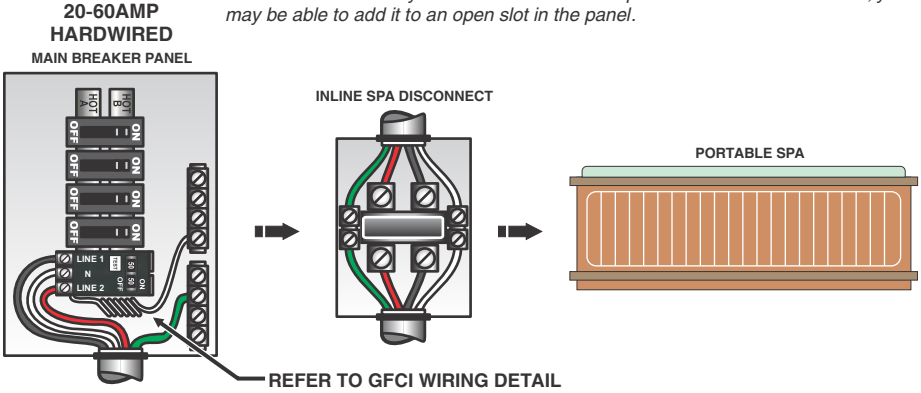


ELECTRICAL CONNECTIONS

OPTION 2

GFCI Installed in Main Service Panel

If the manufacturer of your homes main breaker panel makes a GFCI breaker, you may be able to add it to an open slot in the panel.

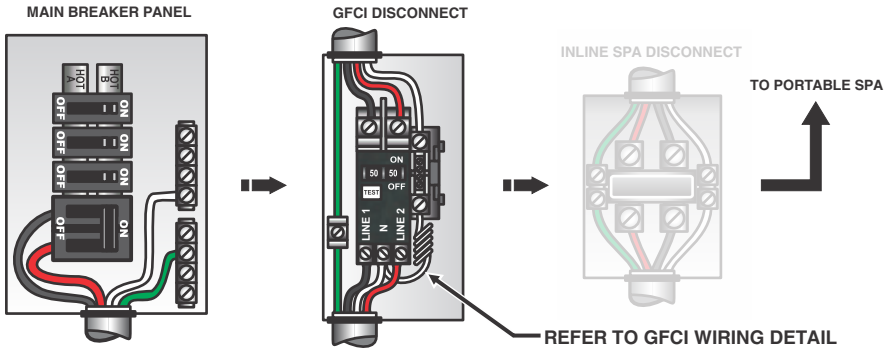


Power from GFCI breaker installed into main service panel to a service disconnect within line-of-site of the spa.

OPTION 2a

Subpanel GFCI Installed

20-60AMP HARDWIRED
MAIN BREAKER PANEL



Power from main service panel to a GFCI subpanel within line-of-site of the spa. (Note: Most local codes will allow a GFCI subpanel to be a disconnect. If this is not the case in your installation, a disconnect must be provided.)

ELECTRICAL CONNECTION

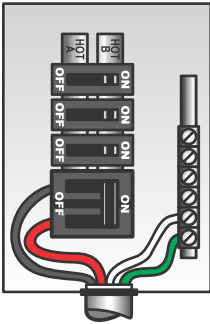
OPTION 3

Systems with GFCI Included

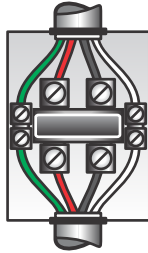
Your system may have an integrated GFCI located on the left side of the control box as shown below. If a GFCI is present there is NO need for additional GFCI protection illustrated in options 2 & 2a.

BUILT-IN SYSTEM GFCI

MAIN BREAKER PANEL

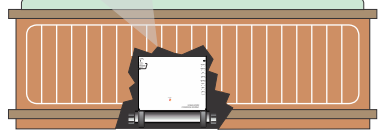


INLINE SPA DISCONNECT



Located on left side of control box.

PORTABLE SPA CONTROL w/BUILT-IN GFCI



Power from main breaker panel to service disconnect within line-of-site of the spa to portable spa control equipped with built-in GFCI.



IMPORTANT - The NEC and most local codes require that a “disconnect” be installed within “line-of-site” of the spa.

ELECTRICAL INSTALLATION DETAILS

Refer to the System Data Label for equipment voltage and maximum amperage draws.

Install proper size Ground Fault Circuit Interrupter (GFCI) or circuit breaker, then proper sized wiring and bonding wire. For Power conductor size, refer to the National Electric Code Table 310–16. For Ground conductor size, refer to the National Electric Code Table 250–122.

A bonding lug has been provided on the control box to allow connection to local ground points. To reduce the risk of electrical shock, a solid copper bonding wire should be connected from this lug to any metal ladders, water pipes or other metal object within 5 feet of the spa.

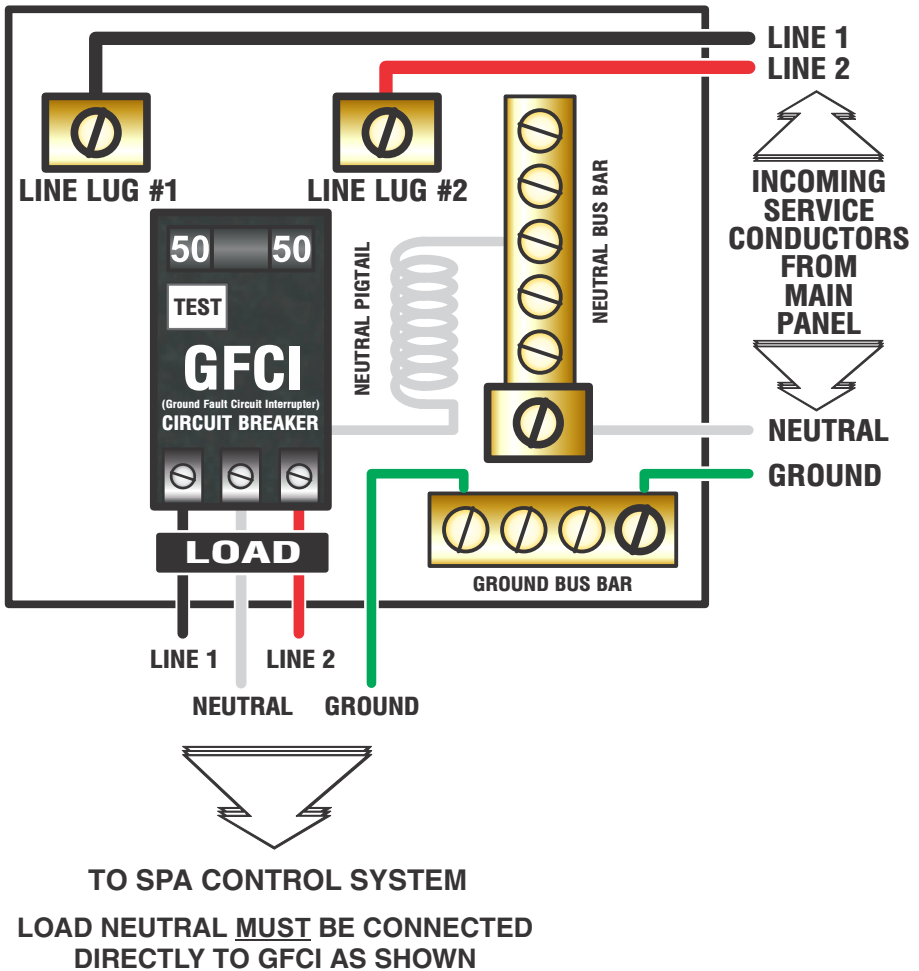
WARNING - BE SURE THAT YOUR POWER SUPPLY CIRCUIT CAN ADEQUATELY HANDLE THE AMPERAGE YOU SELECT.

The control input power wiring may have been provided. Following NEC and local codes in effect at the time of installation, connect (refer to wiring diagram located on the inside of control hinged cover) the Black wire to input Line 1, Blue wire to input Line 2 (if

GFCI WIRING DETAIL

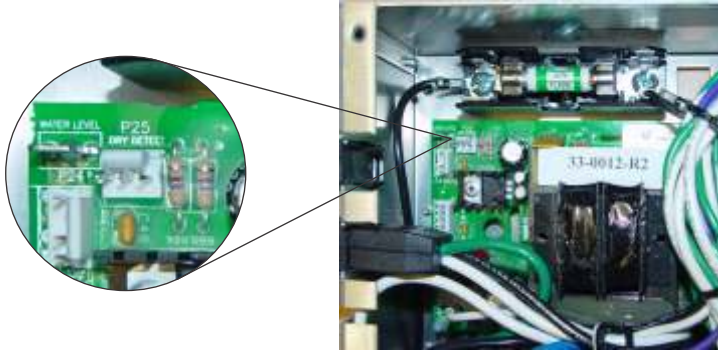
When a GFCI circuit breaker is used in the installation of your spa, it is important that it has been properly installed. Often this component has been improperly installed causing the breaker to trip the instant the system is turned on. Below is an illustration of a typical GFCI breaker installation.

WARNING: Refer to Circuit Breaker Manufacturers installation instructions. This illustration is meant to be a guide for Field Technicians and is not intended to override or substitute the instructions supplied with the circuit breaker.



LOW-FLOW SYSTEM CONFIGURATION

The system may come equipped with a “Low-Flow” heater assembly and flow switch. When a flow switch is supplied the connection of the switch to the system is directly to the PCB (Printed Circuit Board). Below are details on where and how to connect the flow switch to a CS7506 control system. The connection point may differ on other control systems. When in doubt refer to the wiring diagram location inside the control box cover for details and connect accordingly to the



1. Locate the connection point for the flow switch.



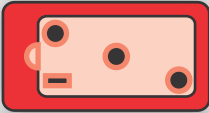
2. Connect the flow switch connector to the connection point making sure all pins are covered.



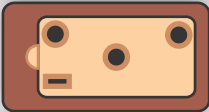
3. Route the flow switch cable through an empty slot allocated for small cables/cords.

RECEPTACLE GUIDE

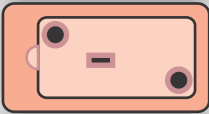
To make things easy, we have developed our own unique set of color-coded cords & receptacles. Use the chart below when connecting components.



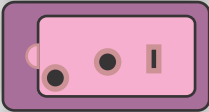
RED:
Pump 1 / 2-Speed



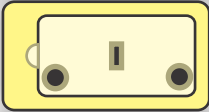
BROWN:
Pump 2 / 2-Speed



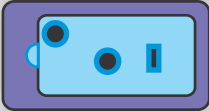
PINK:
Pump 1 or 2 / 1-Speed



PURPLE:
Air Blower / 1-Speed



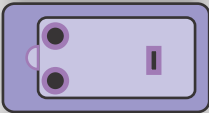
YELLOW:
Ozone



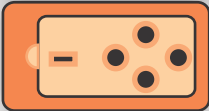
BLUE:
Circ. Pump



WHITE:
12V Light or Fireman's Switch



LIGHT PURPLE:
Switched Accessory



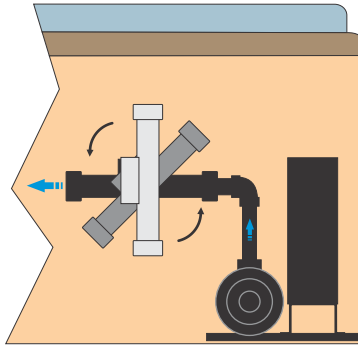
ORANGE:
Fiber Optic



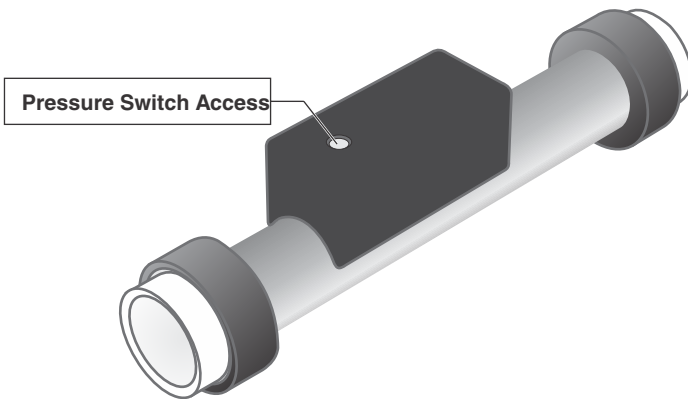
GREEN:
Hot Auxiliary Circuit

VERSI-HEAT CONSIDERATIONS

If your system includes a Versi-Heat remote heater, see illustration below to see which layout best fits your particular installation.



The heater can be installed vertical, horizontal or at an angle in the pumps discharge plumbing (providing position DOES NOT allow air pockets to form inside the housing). The heater can be installed up to 5-feet from the control system, which is connected via a black 3-conductor and black 6-conductor cord to the black receptacles



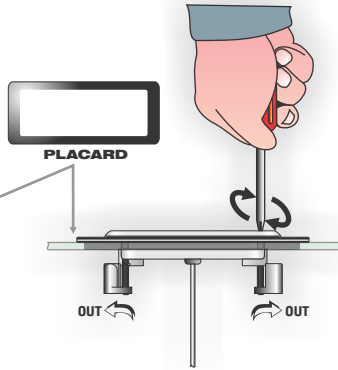
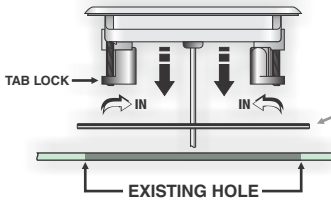
IMPORTANT: It may be necessary to adjust the pressure switch (located inside the heater enclosure) in some cases.

SPASIDE INSTALLATION

HT-2, Eco-3, 7 & 8 Series Spaside Controls:

A placard has been provided with each control to eliminate problems encountered when the spaside access hole is too large. Use the illustrations and instructions below to install the spaside control provided with your system.

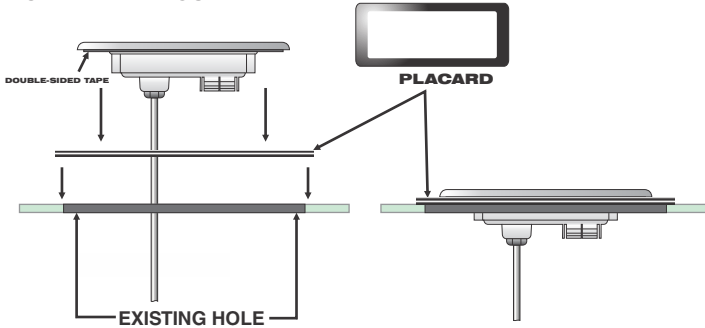
SCREW & BRACKET MOUNTED:



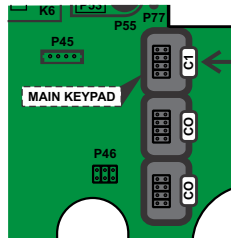
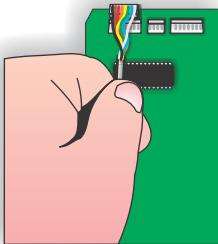
Step 1 – (If control cutout already exists, determine if placard must be used. If existing cutout is sufficient, disregard step 1.) **Choose a location for the spaside control. Using the template provided, cut out a 2 5/8" X 6 3/8" hole. Clean area and insert spaside control making sure tab locks are rotated inward.** (If placard is required, position and secure using a water resistant silicone sealant.)

Step 2 – Rotate lock tab screws on face of control clockwise to engage locks and secure control into place.

DOUBLE-SIDED TAPE MOUNTED:

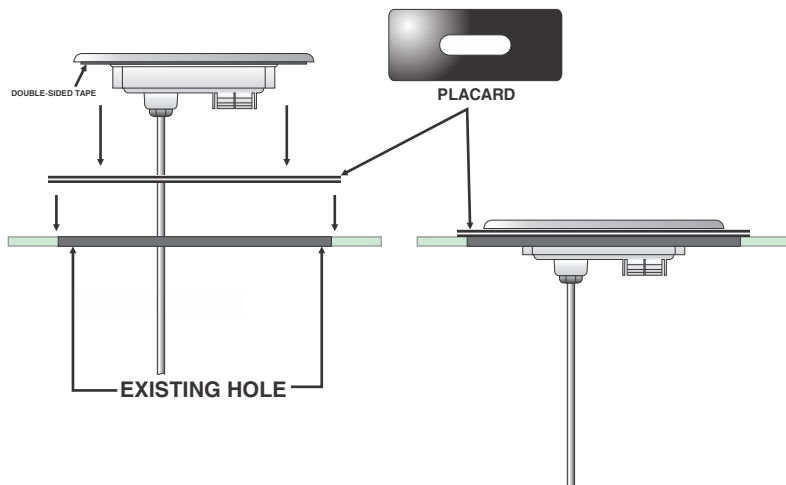


Step 3 – Remove protective film from display windows, clean control surface with rubbing alcohol and apply label. Connect spaside control plug to circuit board as shown.



SPASIDE INSTALLATION

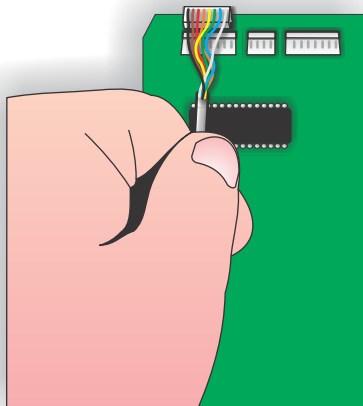
Eco-1, 2, 5 & 6 Series Spaside Controls:



Step 1 - (If control cutout already exists, determine if placard must be used. If existing cutout is sufficient, disregard step 1.) **Choose a location for the spaside control. Using the template provided, drill two 1" diameter holes, 2 5/8" apart. Cut away the material between the two holes, clean area and insert spaside.** (If placard is required, position and secure using a water resistant silicone sealant.)

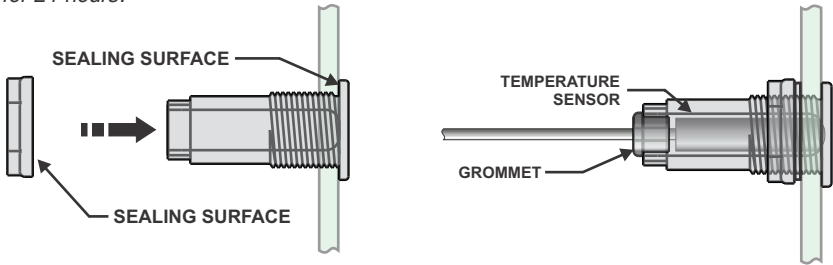
Step 2 - Route cord through the hole, remove the double-sided adhesive tape on the back of the keypad. Now carefully adhere the keypad to the spa shell or placard making sure it is straight.

Step 3 - Remove protective film from display window, clean control surface with rubbing alcohol and apply label. Connect spaside control plug to circuit board as

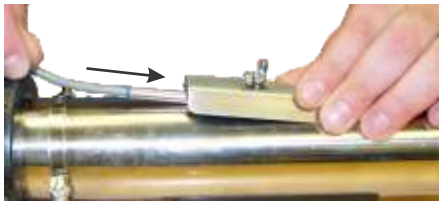


TEMP. SENSOR INSTALLATION

Option #1 Preferred Method - DRYWELL: If the existing placement of your temperature sensor does not allow for an accurate temperature reading a drywell may have to be installed in the spa wall. Once a location has been chosen, cut a 1 1/8" hole (cut from inside the spa). Clean excess debris from around the hole. Use a water resistant silicone applied to the sealing surfaces and insert the drywell into the hole. Tighten the drywell nut (DO NOT over tighten). Insert temperature sensor into drywell and insert grommet as shown below. Allow silicone to cure for 24-hours.

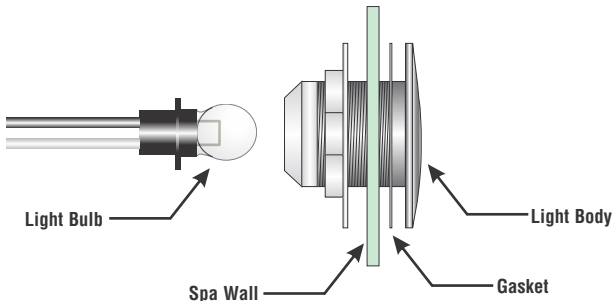


Option #2 Alternate Method - HEATER HOUSING: If it is not possible or desired to drill a hole into the spa shell the temperature sensor may be installed with the High-Limit sensor directly on to the heater housing under the sensor shield/cover. Simply loosen, insert probe as shown and re-tighten.



SPA LIGHT INSTALLATION

Using a suitable 2" diameter hole-saw, cut a hole in the spa wall. Cut from inside the spa wall toward the outside to prevent splintering the inner surface. Remove any insulation material from around the hole (at least 2") at the outside spa wall. Install the gasket onto the light body and install the light into the hole. Take care not to over tighten the nut securing the light body. (Silicone sealant may be used in place of the gasket. Allow adequate time for sealant to cure before filling the spa.)



SYSTEM STARTUP

System Startup Procedures:

Using the “System Operation Manual” provided with the unit, complete the following procedures:

- 1) Read and familiarize yourself with the system Operation manual.
- 2) Unplug the power cord (120-volt system only) or turn the electrical power “OFF” at the service or breaker panel (120 or 240 volt permanently connected units.)
- 3) Open all WATER shut-off valves.
- 4) For spas equipped with a hose bib or drain valve, make sure that it has been closed.
- 5) For spas equipped with in-line or pressure water filters, make sure that the filter nut, housing drain plug, and air relief valve are closed and tight.
- 6) Using a standard water hose, fill the spa with fresh tap water to the level recommended by the spa manufacturer.
- 7) Inspect all plumbing connections and lines for any sign of water leaks.
- 8) Close all AIR control valves. **WARNING: Do not confuse with WATER shut-off valves.**
- 9) Plug the unit into the proper outlet (120-volt system) or turn on the breaker at the electrical service panel (240-volt system).
- 10) Adjust temperature to the **lowest** setting.
- 11) On units with a Ground Fault Circuit Interrupter (GFCI), check the GFCI by pressing the “Test” button on the face of the device. The “Reset” button should pop out. The equipment should not operate.
- 12) Activate the equipment by pressing the “Reset” button on the GFCI. (If the jet pump(s) or blower is operating, switch them off).
- 13) Press the “JET PUMP” switch to run on high speed. Allow to run until you achieve a strong, steady water flow (free of air bubbles).
- 14) On systems with a pressure filter, bleed off the trapped air by opening the Air-Relief valve. You will notice a steady flow of water when the air has been bled completely.
- 15) Switch the “JET PUMP” off.
- 16) If equipped, switch the “AIR BLOWER” on to verify that it is working, then switch it off.
- 17) If equipped, switch the “LIGHT” on to verify that it is working, then switch it off.
- 18) If equipped, switch the “AUXILIARY PUMP” on to verify that it is working, allow to run until all air is evacuated from the plumbing system, then switch it off.
- 19) Adjust temperature to the desired set point for comfortable use of the spa. The pump low speed and heater will activate until the set point has been reached.

It is now time to turn over operation of the spa to the homeowner. See next section for basic troubleshooting tips.

TROUBLESHOOTING

The following describes situations and possible solutions to common problems you may encounter as a spa owner. **Note: your system may not include all components listed.**

NOTHING OPERATES

- Main Breaker is OFF** - Set to On.
- Sub-Panel Breaker Off** - Set to On.
- System GFCI Off** - Set to On.
- Power switch in Off position** - Set to On.
- Components not plugged in** - Plug in components.
- Power cord not plugged in** - Plug in power cord.

NO, LOW or SURGING WATER FLOW

- Air Lock in Plumbing System** - “Bleed” the system.
- Restricted Flow** - Insure that the water shut-off valves are open and that suction fittings are not blocked by debris.
- Low Water Level** - Increase water level to recommended level.

NO LOW SPEED OPERATION

- Pump 1 Not Plugged-In** - Plug in Pump 1.
- Pump 1 Fuse Blown** - Contact your local dealer.
- Pump 2 Not Plugged-In** - Plug in Pump 2.
- Pump 2 Fuse Blown** - Contact your local dealer.

NO JETS or BLOWER OPERATION

- Blower or Pump Not Plugged-In** - Plug in the Blower or Pump.
- Pump or Blower Fuse Blown** - Contact your local dealer.

NO THERAPY JET OPERATION

Water Shut-Off Valves are Closed - *Open Shut-Off valves.*

Jets Not Properly Adjusted - *Adjust Jets properly.*

Diverter Valve Not Properly Adjusted - *Adjust diverter valve properly.*

Thermal Overload Tripping - *Check for restricted flow of water.*

NO LIGHT OPERATION

Light Bulb Defective - *Replace bulb or contact your local dealer.*

Reflector has Fallen Off - *Replace deflector or contact your local dealer.*

Light Not Plugged-In - *Plug in the Light.*

WATER LEAKS

Spa Overfilled - *Adjust water level.*

Drain-Valve Left Open - *Close drain valve.*

Couplings or Unions Loose - *Tighten or contact your local dealer.*

Pump Seal Leaking - *Contact your local dealer.*

Plumbing / Connections Leaking - *Contact your local dealer.*

Water Leaking from Spaside Control - *Contact your local dealer.*

Water in Air Blower Plumbing - *Contact your local dealer.*

NO HEAT

Temperature Not Set Correctly - *Adjust "Set Point" Temperature.*

System Power Restriction - *Depending on available power, the spa may have interlocks in place to shut off the heater when the pumps are switched to high speed.*

No Power - *Reset breaker at service panel.*

Low Water Flow - *Clean or Replace filter.*

Pressure Switch Not Adjusted Properly - *Refer to "Pressure Switch Adjustment".*

HIGH HEAT

Temperature Sensor Not in Dry-Well - *Place sensor in dry-well.*

Temperature Set Too High - *Adjust "Set Point" Temperature.*

High Ambient Temperature - *Remove spa cover.*

GFCI TRIPS IMMEDIATELY

For correct GFCI breaker wiring, refer to page 5 for details.

SPECIAL CONSIDERATIONS

If your system is equipped with a pressure switch, the function of the pressure switch is to turn the heater off if the pump stops operating or if there is a restricted water flow (dirty filter, obstruction in the spa plumbing etc.).

The pressure switch has been preset at the factory to operate properly with your spas specific plumbing. Adjustment or other service may be required if you observe a flow related problem (3 flashing dots on spaside display). If adjustment is required, follow the next steps carefully.

IMPORTANT: After any pressure switch adjustment, it is important to test the control by turning on the pump low speed and heater. While operating, unplug the pump, the heater must turn off. If the heater stays on, plug the pump back in and readjust the pressure switch to achieve proper operation.

Adjustment

- 1) With power to system turned OFF, remove the wires from the pressure switch terminals (secure wires safely to prevent any chance of electrical shock).
- 2) Use temperature adjustment key to move "set point" temperature to its lowest setting.
- 3) Turn power to the system ON and activate the low-speed pump.
- 4) Place an Ohmmeter across the pressure switch terminals to verify an OPEN circuit.
- 5) Rotate the pressure switch adjustment screw counter-clockwise until the Ohmmeter indicates a CLOSED circuit.
- 6) Turn pump OFF and verify that the pressure switch circuit is once again OPEN.
- 7) Turn power to the system OFF and reconnect pressure switch wires. Reapply power to the system and operate the spa or hot tub as normal.



SYSTEM DATA INFORMATION

The system data label is located on the control box. This label is very important and contains information you will need to establish your electrical service. The voltage and amperage ratings are shown on the bottom of the label. Product, Model, Serial and Code numbers are also shown on the label.

Note: *This information will be necessary if you should ever have to request warranty or any other type of service.*

REFER TO NEC FOR
BREAKER SIZING

ORDER
CODE: CSXXXX
MODEL: XXXXXXX-XXXXXXXX
CODE: XXXX-XXXX-XXX
VOLTS: 120 240
AMPS: SEE RATINGS LABEL
PRODUCT: HQXXXX

NOTES

Use this section to jot down any information you may need at a later date.

Dealer: _____ **Date of Install:** _____

Contact: _____ **Phone:** _____

Address: _____

City: _____ **State:** _____ **Zip:** _____

Notes: _____
