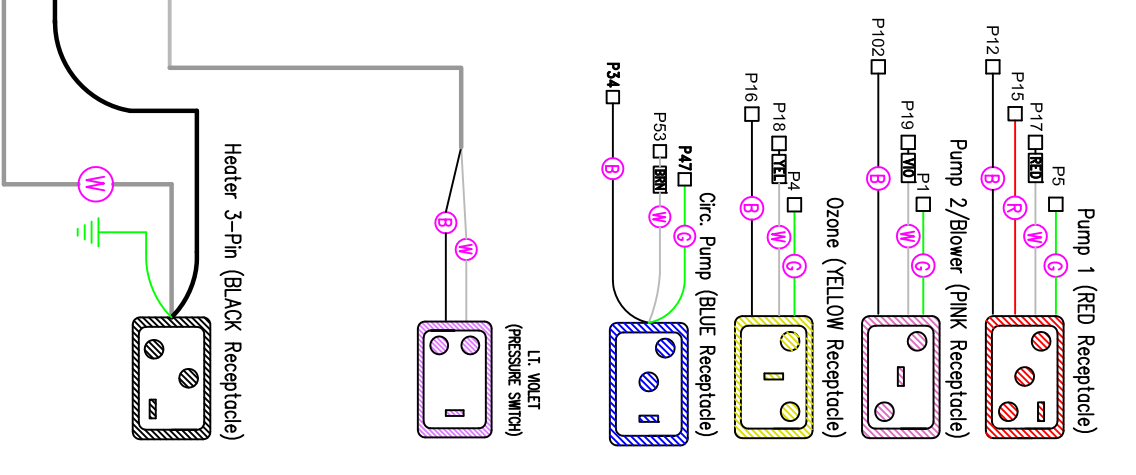
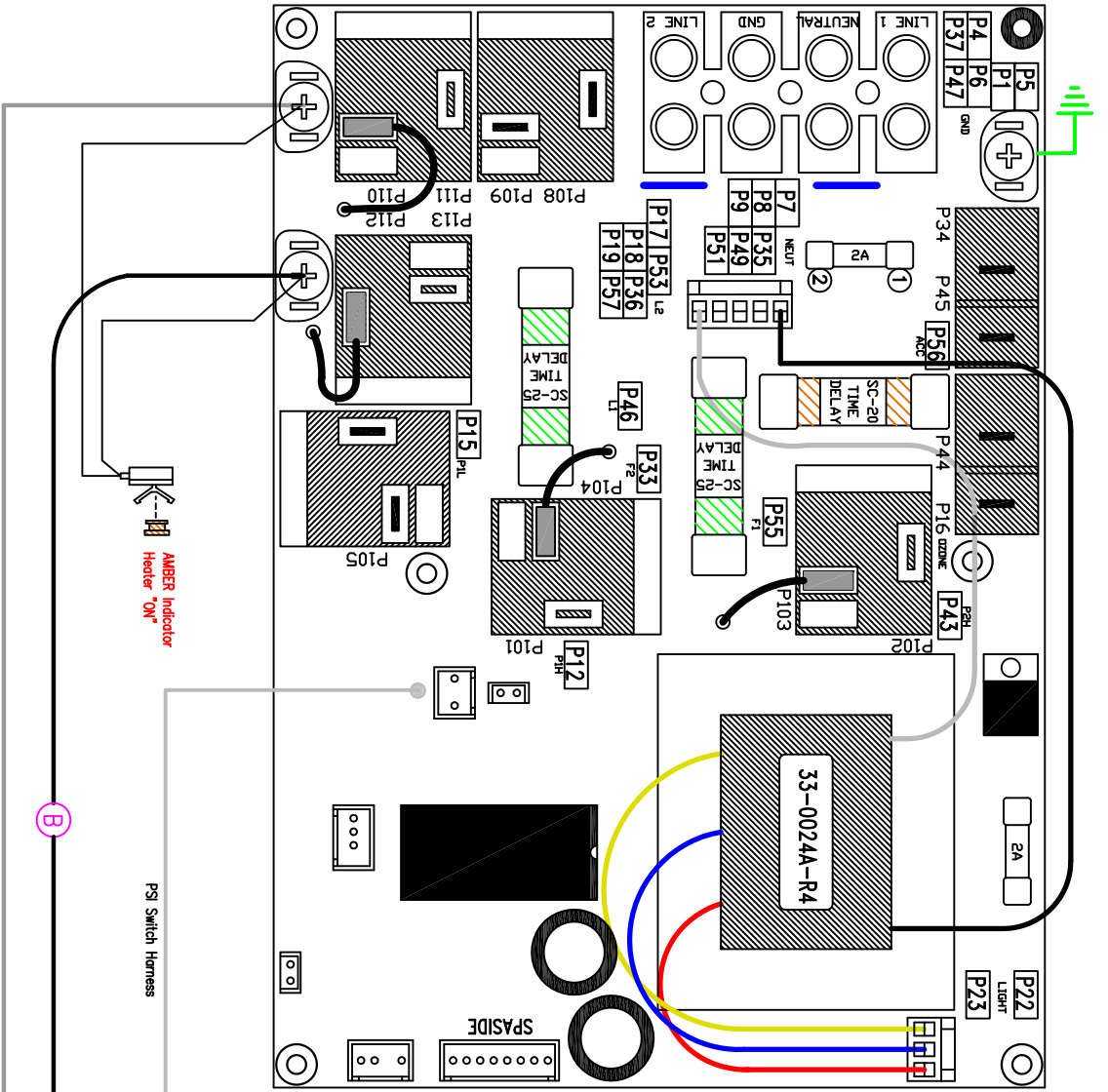
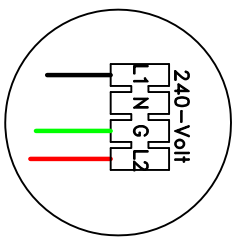
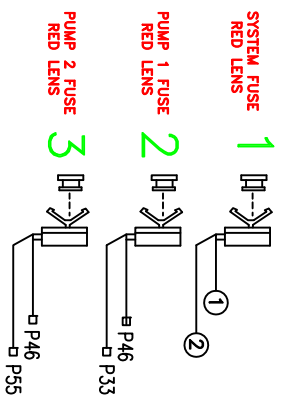


NEUTRAL OPTIONAL



HYDRO-QUIP
CORONA, CA (951) 273-7575

Manufacture Notes:

Drawn	Rev	Wire Color Code
MBS	02	B - Black
Date	10.18.10	Br - Brown
Diagram No.	6841	R - Red
		O - Orange
		Y - Yellow
		G - Green
		Bl - Blue
		V - Violet
		W - White
		Gr - Grey