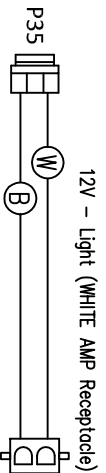
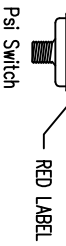
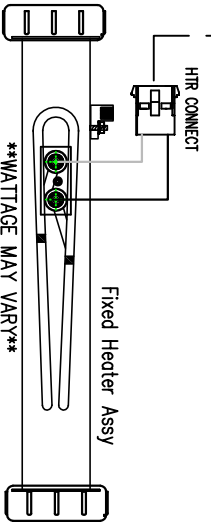
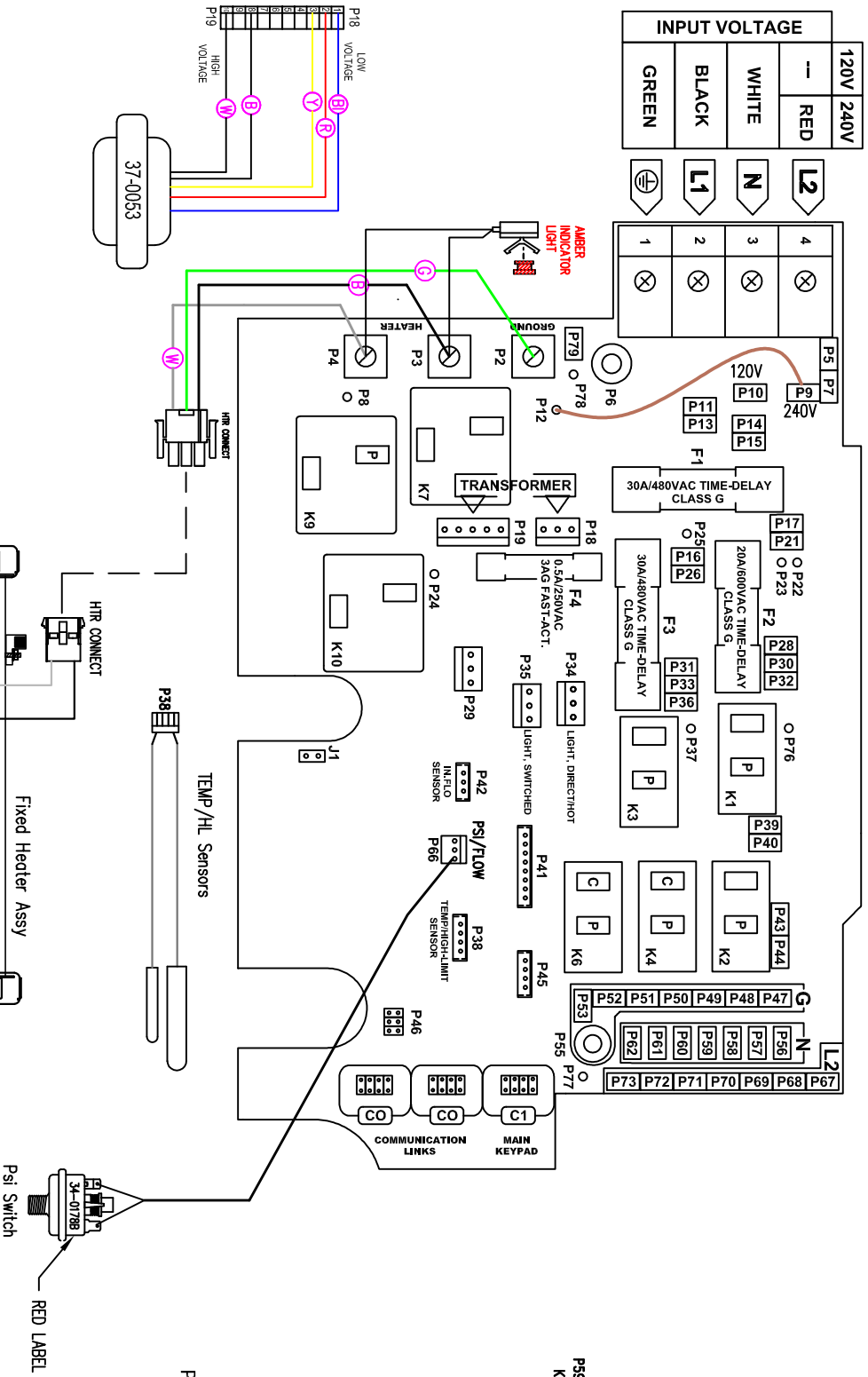
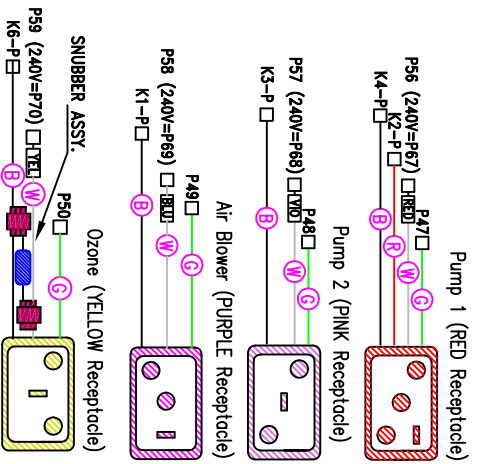


TO CONVERT CIRCUIT 120 OR 240V MOVE WHITE WIRE ACCORDINGLY
 120V COMPONENT = OPEN POSITION AT CONNECTION BLOCK "N"
 240V COMPONENT = OPEN POSITION AT CONNECTION BLOCK "L2"

33-0045A



System Setup Options (see manual to access these settings):
 Setup #10: System without Circulation Pump (DEFAULT)



HYDRO-QUIP
 CORONA, CA (951) 273-7575

Manufacture Notes:

A disconnect means must be installed within sight from the equipment and at least five feet (1.52m) from the inside walls of pool, spa, or hot tub.

Drawn	Rev	Wire Color Code
MBS	01	B - Black Br - Brown R - Red O - Orange Y - Yellow
Date		G - Green Bl - Blue V - Violet W - White Gr - Gray
Diagram No.	9142	