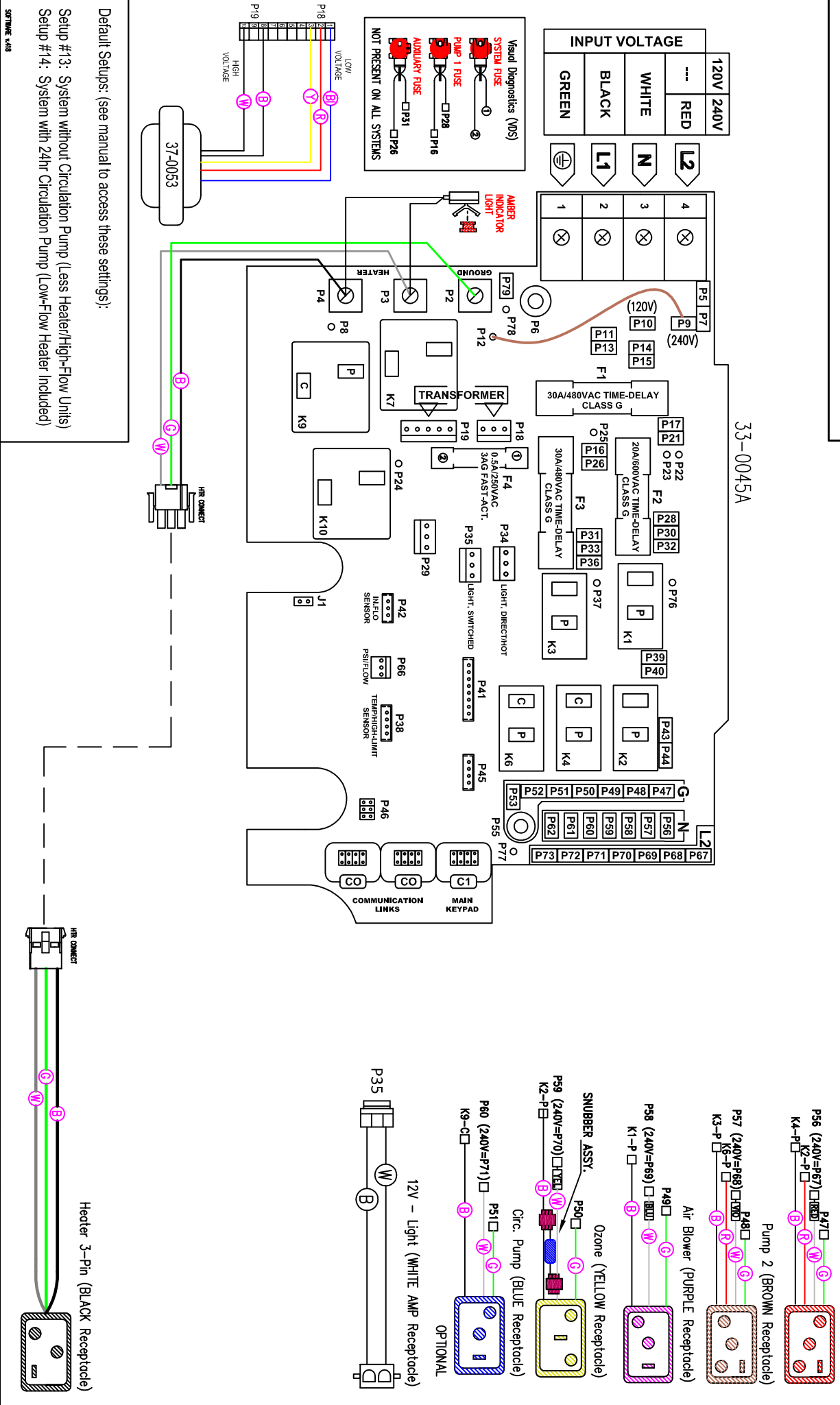


TO CONVERT CIRCUIT 120 OR 240V MOVE WHITE WIRE ACCORDINGLY  
 120V COMPONENT = OPEN POSITION AT CONNECTION BLOCK "N"  
 240V COMPONENT = OPEN POSITION AT CONNECTION BLOCK "L2"

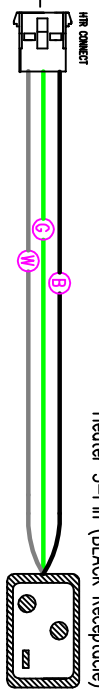


Default Setups: (see manual to access these settings):

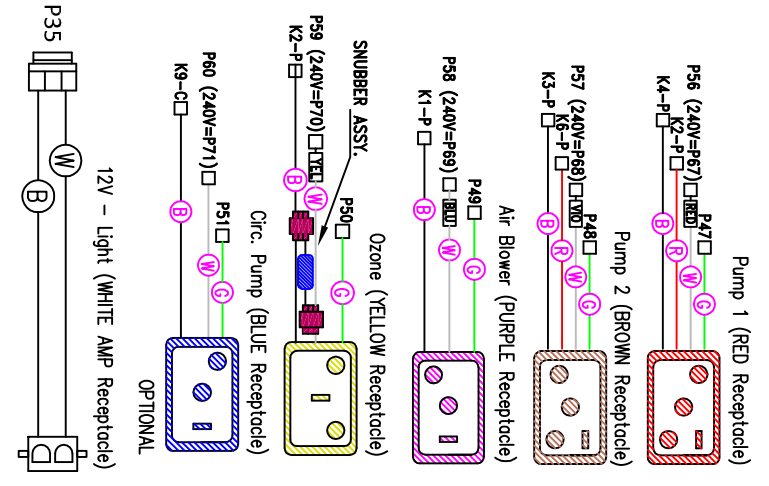
- Setup #1: System without Circulation Pump (Less Heater/High-Flow Units)
- Setup #2: System with 24hr Circulation Pump (Low-Flow Heater Included)

HYDRO-QUIP  
 CORONA, CA (951) 273-7575  
 Manufacture Notes:

A disconnect means must be installed within sight from the equipment and at least five feet (1.52m) from the inside walls of pool, spa, or hot tub.



Heater 3-Pin (BLACK Receptacle)



12V - Light (WHITE AMP Receptacle)

Diagram No.	Date	Drawn	Rev	Wire Color Code
9136	07.16.18	MBS	02	B - Black Br - Brown R - Red O - Orange Y - Yellow G - Green Bl - Blue V - Violet W - White Gr - Gray